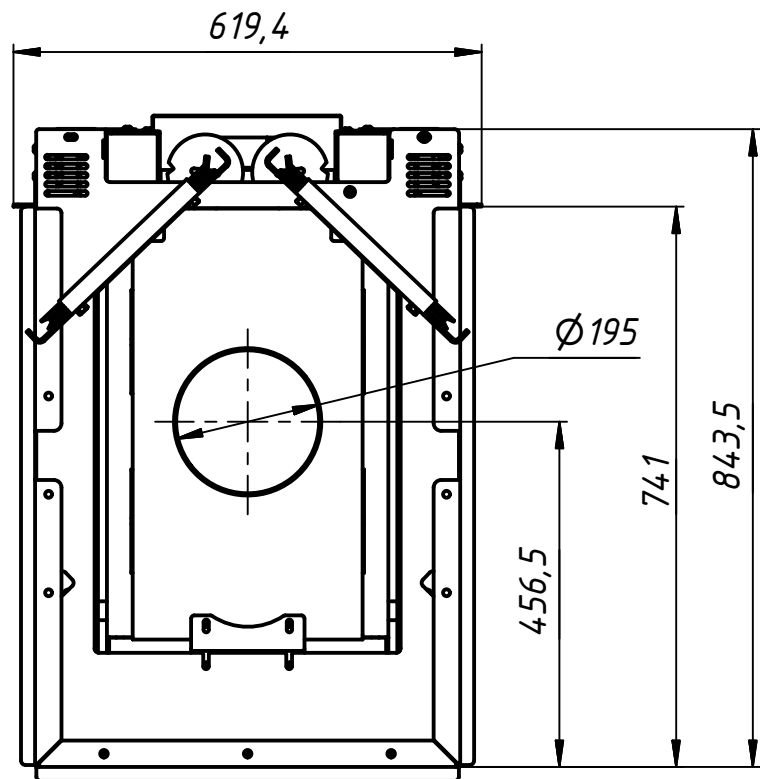
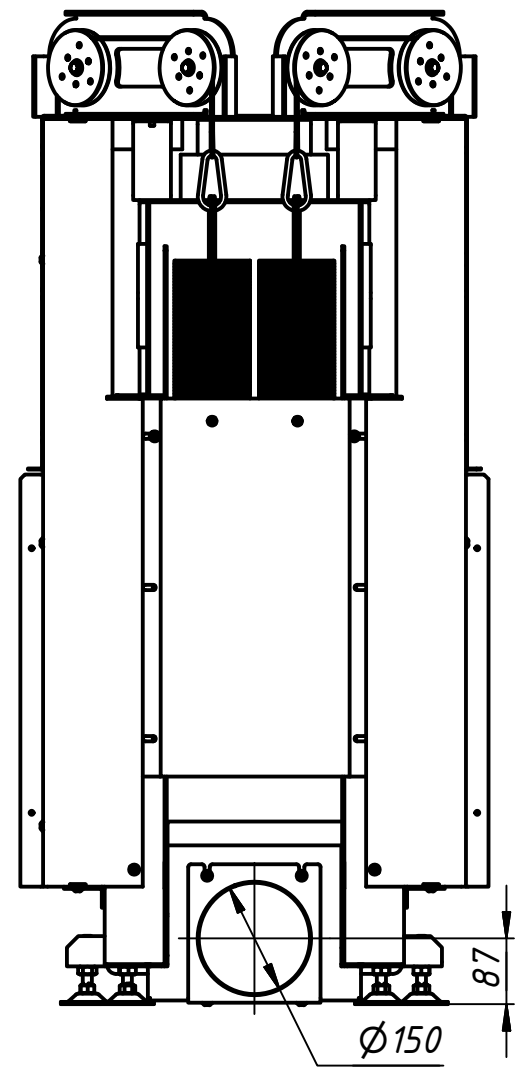
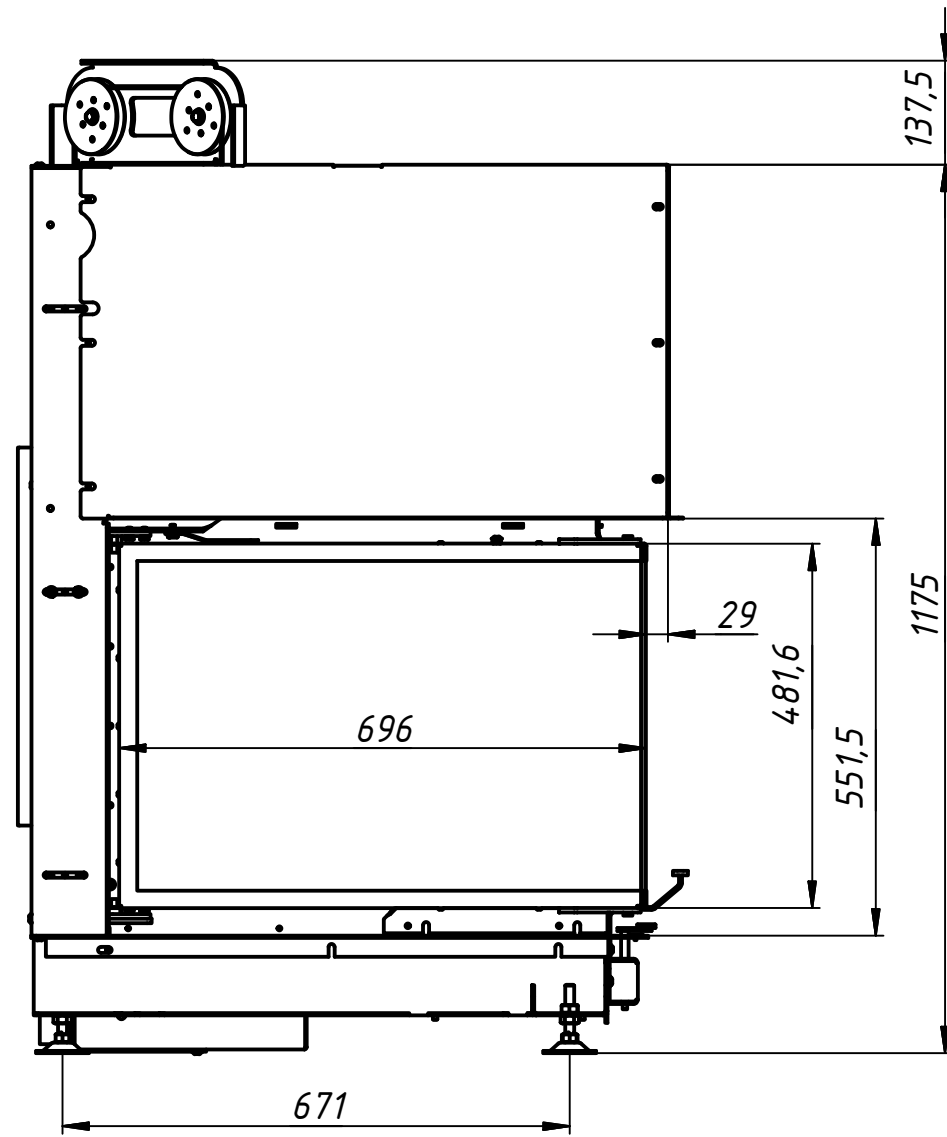


A



A (1:2)

